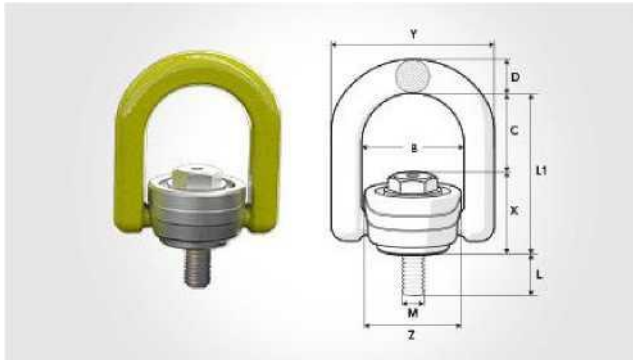




**CANCAMO GIRATORIO**– Cancamos giratorios RLP



El RLP tiene un anillo D desmontable para permitir el ensamble con eslingas, eslabones maestros o ganchos directamente con el punto de anclaje. Es de fácil desarme y no requiere herramientas adicionales.

Coefficiente de Seguridad 4:1

Codigo	B	C	D	L	LI	M	X	Y	Z	Peso kgs
RLP-M8	42	35	12	16	62	8	27	64	040	0.308
RLP-M10	42	35	12	16	62	10	27	64	040	0.312
RLP-M12	57	46	19	25	88	12	42	91	054	0.974
RLP-M16	57	46	19	25	88	16	42	91	054	0.997
RLP-M20	83	55	28	36	110	20	55	133	080	2.851
RLP-M24	83	55	28	36	110	24	55	133	080	2.898
RLP-M30	114	70	34	58	148	30	78	182	0111	7.064
RLP-M36	114	70	34	58	148	36	78	182	0111	7.234
RLP-M42	149	91	40.4	81	190	42	99	229	0142	14.256
RLP-M48	149	91	40.4	81	190	48	99	229	0142	14.55
RLP- 5/16"-18 UNC	42	35	12	16	62	5/16"	27	64	040	0.307
RLP- 3/8"-16 UNC	42	35	12	16	62	3/8"	27	64	040	0.311
RLP-1/2"-13 UNC	57	46	19	25	88	1/2"	42	91	054	0.978
RLP- 5/8"-11 UNC	57	46	19	25	88	5/8"	42	91	054	0.996
RLP- 3/4"-10 UNC	83	55	28	36	110	3/4"	55	133	080	2.841
RLP- 7/8"-9 UNC	83	55	28	36	110	7/8"	55	133	080	2.876
RLP-1"-8 UNC	83	55	28	36	110	1"	55	133	080	2.916
RLP-1 1/4"-7 UNC	114	70	34	58	148	1 1/4"	78	182	0111	7.108
RLP-1 1/2"-6 UNC	114	70	34	58	148	1 1/2"	78	182	0111	7.3
RLP-1 3/4"-5 UNC	149	91	40.4	81	190	1 3/4"	99	229	0142	14.371
RLP-2"-4.5 UNC	149	91	40.4	81	190	2"	99	229	0142	14.7



**CANCAMO GIRATORIO**– Cancamos giratorios RLP

**Working Load Limits\* - RLP**



Symmetric Load (tonnes)												
	No. of legs	1	1	2	2	2 symmetric	2 symmetric	3 & 4 symmetric	3 & 4 symmetric	Tightening torque	Spanner size	
Angle β	0°	90°	0°	90°	0-45°	45-60°	0-45°	45-60°				
RLP - M8 x 1.25	0.8	0.4	1.6	0.8	0.5	0.4	0.8	0.6	10 Nm	13 mm		
RLP 5/16"-18 UNC	0.8	0.4	1.6	0.8	0.5	0.4	0.8	0.6	7 Ft.Lbs	1/2"		
RLP - M10 x 1.5	1.2	0.7	2.4	1.4	0.9	0.7	1.4	1.0	15 Nm	13 mm		
RLP 3/8"-16 UNC	1.2	0.65	2.4	1.3	0.9	0.6	1.3	0.9	11 Ft.Lbs	1/2"		
RLP - M12 x 1.75	2.0	1.2	4.0	2.4	1.6	1.2	2.5	1.8	27 Nm	24 mm		
RLP 1/2"-13 UNC	2.0	1.2	4.0	2.4	1.6	1.2	2.5	1.8	20 Ft.Lbs	15/16"		
RLP - M16 x 2	3.2	2.0	6.4	4.0	2.8	2.0	4.2	3.0	60 Nm	24 mm		
RLP 5/8"-11 UNC	3.2	2.0	6.4	4.0	2.8	2.0	4.2	3.0	44 Ft.Lbs	15/16"		
RLP - M20 x 2.5	5.6	2.8	11.2	5.6	3.9	2.8	5.8	4.2	90 Nm	32 mm		
RLP 3/4"-10 UNC	5.0	2.5	10.0	5.0	3.5	2.5	5.2	3.7	66 Ft.Lbs	1 5/16"		
RLP 7/8"-9 UNC	5.6	2.8	11.2	5.6	3.9	2.8	5.8	4.2	66 Ft.Lbs	1 5/16"		
RLP - M24 x 3	8.0	4.6	16.0	9.2	6.4	4.6	9.6	6.9	135 Nm	32 mm		
RLP 1"-8 UNC	8.0	4.6	16.0	9.2	6.4	4.6	9.6	6.9	100 Ft.Lbs	1 5/16"		
RLP - M30 x 3.5	12.0	6.0	24.0	12.0	8.4	6.0	12.6	9.0	270 Nm	55 mm		
RLP 1 1/4"-7 UNC	12.0	6.0	24.0	12.0	8.4	6.0	12.6	9.0	200 Ft.Lbs	2 1/4"		
RLP - M36 x 4	14.0	8.0	28.0	16.0	11.2	8.0	16.8	12.0	320 Nm	55 mm		
RLP 1 1/2"-6 UNC	14.0	8.0	28.0	16.0	11.2	8.0	16.8	12.0	236 Ft.Lbs	2 1/4"		
RLP - M42 x 4.5	16.0	14.0	32.0	28.0	19.6	14.0	29.4	21.0	600 Nm	75 mm		
RLP 1 3/4"-5 UNC	16.0	14.0	32.0	28.0	19.6	14.0	29.4	21.0	440 Ft.Lbs	3"		
RLP - M48 x 5	20.0	16.0	40.0	32.0	22.4	16.0	33.6	24.0	800 Nm	75 mm		
RLP 2"-4.5 UNC	20.0	16.0	40.0	32.0	22.4	16.0	33.6	24.0	590 Ft.Lbs	3"		

Safety factor 4:1

3:5